

BST Products

Advancing industrial technology, for a better world



Control System



Electrical System



Door System



Cable System



COP & LOP Series

NICE 3000+/ Future controller/ Slim-Line controller
EN81-20/50



BZGAS004

BXGFM042



BCGCM008

COP & LOP Series

NICE 3000+/Future controller/Slim-Line controller



BCK191



BXK191



BXGFM046

COP & LOP Series

Full-height Touch COP Series

NICE 3000+/Future controller/Slim-Line controller



Infrared COP/LOP Series

NICE 3000+/Future controller/Slim-Line controller



BXGFM045



BXGFM050

Black Pad COP/LOP Series

NICE 3000+/NICE 1000+/NICE 100+/Slim-Line controller



BCG451



BZG451



BMG451



BXG451



BBG451

Classic COP/LOP Series

NICE 3000+/Future controller/Slim-Line controller



BCKAP003



BCKAP002



BXG411



KXG811

Disinfection Function COP/LOP Series

NICE 3000+/Future controller/Slim-Line controller



Economic COP/LOP Series



BCGCM001



BXGFM019

NICE 1000+/NICE 100+



BCGBF001

NICE 1000+/NICE 100+



BXGAS004



SEAD10-CG-SES-01

NICE 1000+/NICE 100+



SEAD10-ZX-GHS-01



SEAD10-CG-SES-01



SEAD10-ZX-GHS-01



SEAD10-ZX-GHS-01

Home-lift COP Series

NICE 3000+/Slim-Line controller



Warm, comfortable, with the experience
of intelligent elevator.
Elegant, Refined, Fashionable, Eternal.

Metallic luster narrow frame,
Tempered glass panel , Touch button,
Customized logo



5" TFT + Touch Button

Strong Visual Appeal



BCKCM005 / BCKCM006

0.1CM

Ultra-light Frame design

Ingenious Craftsmanship



BXGCM002

Mini

Mini dainty One hand can hold

Small but Elegant



BXGCM001

Home-lift LOP Series

NICE 3000+/Slim-Line controller

Tempered Glass

TFT display Touch buttons

BXG574



Display Series

Model: '/S' = Encryptable

Dot Matrix Display



BVD291



BVD231



MCTC-HCB-R600/S



MCTC-HCB-R63M/S

Segment Display



BVC100A



BVL121



BVL131

LED Display



MCTC-HCB-D635/S



MCTC-HCB-R602/S



BVLSV032-485/S



MCTC-HCB-D63L-485/S

TFT Display Series



BVP04316
(4.3")



MCTC-HCB-T647/S
(7")



MCTC-HCB-M61B/S
(12.1")



MCTC-HCB-M61C/S
(15")

Multimedia Displays



BVT15002 (15")



BVT13301 (13.3")



BVT12101 (12.1")



BVT10402 (10.4")

Multimedia Displays



BVT29001 (29")



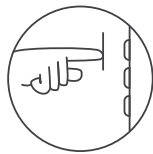
BVT21501 (21.5")



Healthy Elevator Components

The pandemic made it imperative for the elevator industry to face up to revolution which refers not only to flexible "soft landing" of maintenance, but also to the intelligent "hard landing" of equipment components.

Passengers' urgent demand for a better and safer elevator boarding incubates technological revolution, leading to waves of "Magic tech" lighting up the elevators.



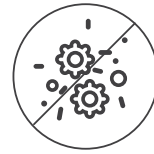
Touchless Button



Gesture Calling



Voice Calling



Disinfection Purification



IC Card

The renderings are for reference only.



BAMFC022
Touchless Infrared Button



BUNN016
Air-filter



BUNNN022
Voice Calling



BPCNN024
IC Card Calling



BUNNN023
Gesture Calling

Combined Large Buttons



Button Series

 *European Standards Products

Economic Buttons



KA301



MA1Z00



MA2K00 



BAMSS002 



BAS120 



BAS180 



MA3801



MA3802



BAMSC007 



BAS174 

MP Buttons



BATFC001



HA1601



HA1602



BAMFC022



BAS141 



BAS143 



HA2Z08



HA2Z02



HA2Y02



HA2Y08

Hoistway Fixture Series

EN
81-20 *European Standards Products



Emergency light
BY133



Alarm Box **EN**
81-20
BJ932



Alarm Box **EN**
81-20
BJ931



Pit Inspection Box
BJ344



Pit Inspection Box
MBT-PIB-A22



Emergency **EN**
81-20
Stop Button Box
BJ372



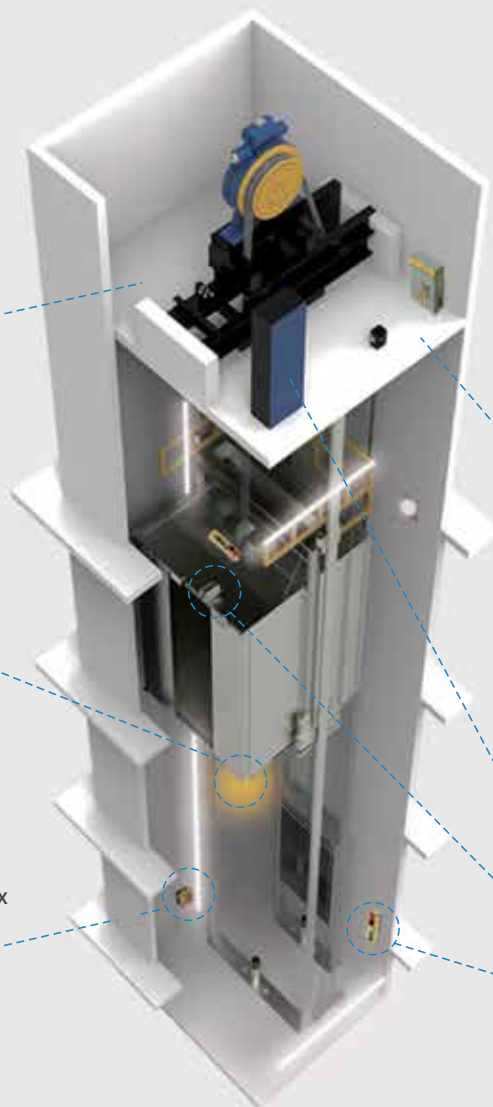
Power
Supply Box
MBT-MS-X



Handheld **EN**
81-20
Inspection Box
BJ431



Inspection **EN**
81-20
Box
BJ151



Hall Lantern Series



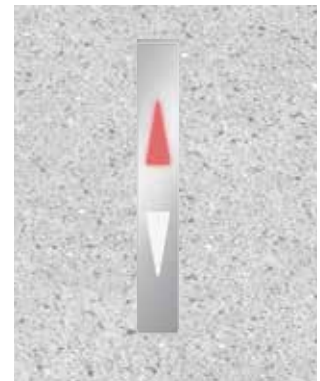
BFK121



BFG371



BFG163



BFKSR00

Intercom System Series



BH202 Two Way Intercom

- Input: DC 12V/24V
- 5-way group control intercom
- Two Lines Communication
- Communication distance is up to 500m
- Sound $\geq 70\text{dB}$
- Maximum audio current $\leq 250\text{mA}$
- Working Temperature: $-10^{\circ}\text{C} \sim 55^{\circ}\text{C}$



BH211 Two Way Intercom

- Input: DC 12V~24V
- 5-way Single Intercom
- Two Lines Communication
- Communication distance is up to 1000 m
- Sound $\geq 60\text{dB}$
- Maximum audio current $\leq 200\text{mA}$
- Working Temperature: $-30^{\circ}\text{C} \sim 60^{\circ}\text{C}$

For low rise elevator- PVC

Structure and Schematic Drawing



Product Information

Cable Structure	Conductor comply with GB/T 3956 sheet 3 or IEC60228 class 5		
	Insulation comply with GB/T 5023 sheet 1 PVC/D insulation		
	Color Code GB/T 5023.1, over six cores:black skin with white nubmer + yellow green wire		
	Sheath comply with GB/T 5023.1 sheet 2 PVC/TM2		
Technical Characteristics	Rate voltag U _o /U: 300/500V (450/750V)	Mechanical Properties	Free suspension length ≤45m (55m)
	Voltage Test: 2000V(2500V)		Travelling height ≤80m (100m)
	Work temperature scope: -15°C~40°C		Running speed ≤2.5m/s (4m/s)
	Maximum conductor temperature: 70°C	Type	Acceleration speed <0.8m/s ²
	Flame resistance: IEC 60332-1		TVVB、TVBWP、H05VVH6-F、H07VVH6-F
	Environmentally friendly: RoHS		
Standards & certification	GB/T 5023.6, JB/T8734.6, IEC60227, EN50214, Q31/0115000467C003 alternative		
Application	Power and signal controlling between travelling car and cabinet		

Cable parameters

ID	Specification	Dimension(W*H)	Data elements	Reference Weight	Loop Size
4318014327	18*0.75	51.5×4.5	NA	414	300±50
4324013024	24*0.75	67.3×4.5	NA	540	300±50
4324014445	24*1	70.0×4.8	NA	638	330±50
4303013245	3*2.5	15.5×6.2	NA	174	380±50
4323114350	3G2.5+12*1+4*2P*0.34	66.8×6.0	2P*0.34AL	710	300±50
4319114477	3G1.5+10*0.75+3*2P*0.5	52.0×5.8	2P*0.5AL	512	290±50
4322114478	4G2.5+13*1+2*2P*0.34+TV	70.0×7.0	2P*0.34AL TV	820	350±50
4426114480	15*1+3G2.5+4*2P*0.5	83.3×5.9	2P*0.5AL	885	295±50
4330003040	30*0.75	38.7×8.2	NA	616	410±50
4341103151	36*0.75(+2*2P*0.75+TV)	60.7×9.0	2P*0.75AL TV	847	450±50
4364106236	60*0.75(+2*2P*0.5)	77.0×8.5	2P*0.5AL	1160	430±50

*G: yellow/green earth connection wire

*LAN cable: Cat5e, Cat6, Cat7 alternative; TV: 75Ω coaxial cable; FO: multi-mode G62.5/125 or 50/125, single-mode G652D

*Cu: copper braiding; AL: aluminium foil binding; alternative

*Out of list demands please contact BNK technical dept

For middle rise elevator- PVC

Structure and Schematic Drawing



Product Information

Cable Structure	Conductor comply with GB/T 3956 sheet 3 or IEC60228 class 5		
	Insulation comply with GB/T 5023 sheet 1 PVC/D insulation		
	Color Code GB/T 5023.1, over six cores:black skin with white nubmer + yellow green wire		
	Sheath comply with GB/T 5023.1 sheet 2 PVC/TM2		
Technical Characteristics	Rate voltag U ₀ /U: 300/500V (450/750V)	Mechanical Properties	Free suspension length ≤ 80m
	Voltage Test: 2000V(2500V)		Travelling height ≤ 150m
	Work temperature scope: -20°C~40°C	Running speed ≤ 4m/s	
	Maximume conductor temperature: 70°C	Acceleration speed < 1.2m/s ²	
	Flame resistance: IEC 60332-1	Type	TVVBG, TWBPG, H05WD3H6-F, H07WD3H6-F
Environmentally friendly: RoHS			
Standards & certification	GB/T 5023.6, JB/T8734.6, IEC60227, EN50214, Q31/0115000467C003 alternative		
Application	Power and signal controlling between travelling car and cabinet		

Cable parameters

ID	Specification	Dimension (W*H)	Data elements	Support elements	Reference Weight	Loop Size
4406003007	6*0.75(+2*G)	24.5×5.0	NA	2× ϕ 1.59	198	350±50
4412003014	12*0.75(+2*G)	44.0×5.0	NA	2× ϕ 1.59	344	350±50
4418014328	18*0.75(+2*G)	57.5×4.6	NA	2× ϕ 1.59	453	330±50
4424003023	24*0.75(+2*G)	70.6×5.0	NA	2× ϕ 1.59	605	350±50
4403014211	3*2.5(+2*G)	21.9×6.2	NA	2× ϕ 1.59	265	380±50
4430003041	30*0.75(+2*G)	48.9×8.2	NA	2× ϕ 3.0	765	450±50
4440214916	28*0.75+(2*2P*0.75+CAT6(+2*G)	63.7×8.8	2P*0.75Cu Cat 6	2× ϕ 3.0	958	450±50
4434104023	30*0.75(+2*2P*0.75)(+2*G)	57.3×8.2	2P*0.75AL	2× ϕ 2.5	776	450±50
4434203203	30*0.75(+2*2P*0.75)(+2*G)	57.3×8.2	2P*0.75Cu	2× ϕ 2.5	818	450±50
4435104194	30*0.75(+2*2P*0.75+TV)(+2*G)	65.1×9.0	2P*0.75AL TV	2× ϕ 3.0	950	500±50
4436003047	36*0.75(+2*G)	51.7×8.9	NA	2× ϕ 2.5	789	500±50
4440103149	36*0.75(+2*2P*0.75)(+2*G)	65.1×9.0	2P*0.75AL	2× ϕ 3.0	978	500±50
4440203212	36*0.75(+2*2P*0.75)(+2*G)	64.1×8.9	2P*0.75Cu	2× ϕ 3.0	953	500±50
4441103152	36*0.75(+2*2P*0.75+TV)(+2*G)	70.9×9.0	2P*0.75AL TV	2× ϕ 3.0	1081	500±50
4441203280	36*0.75(+2*2P*0.75+TV)(+2*G)	68.7×9.0	2P*0.75Cu TV	2× ϕ 3.0	1051	500±50
4440006231	40*0.75(+2*G)	58.5×8.0	NA	2× ϕ 2.5	870	450±50
4444106230	40*0.75(+2*2P*0.5)(+2*G)	66.5×8.0	2P*0.5AL	2× ϕ 2.5	920	450±50
4448106238	40*0.75(+2*2P*0.75+4*G50/125)(+2*G)	79.6×8.0	2P*0.5AL G50/125	2× ϕ 2.5	1130	450±50

*G: steel rope support elements

*LAN cable: Cat5e, Cat6, Cat7 alternative; TV: 75Ω coaxial cable; FO: multi-mode G62.5/125 or 50/125, single-mode G652D

*Cu: copper braiding AL: aluminium foil binding; alternative

*Out of list demands please contact BNK technical dept

For high speed & high rise elevator - PVC

Structure and Schematic Drawing



Product Information

Cable Structure	Conductor comply with GB/T 3956 sheet 3 or IEC60228 class 5		
	Insulation comply with GB/T 5023 sheet 1 PVC/D insulation		
	Color Code GB/T 5023.1, over six cores:black skin with white nubmer + yellow green wire		
	Sheath comply with GB/T 5023.1 sheet 2 PVC/TM4		
Technical Characteristics	Rate voltag Uo/U: 300/500V (450/750V)	Mechanical Properties	Free suspension length ≤ 220m
	Voltage Test: 2000V(2500V)		Travelling height ≤ 400m
	Work temperature scope: -20°C~40°C		Running speed ≤ 12m/s
	Maximum conductor temperature: 70°C	T type	Acceleration speed < 1.2m/s ²
	Flame resistance: IEC 60332-1		Power and signal controlling between travelling car and cabinet
Environmentally friendly: RoHS			
Standards & certification	JB/T8734.6, IEC60227, EN50214, Q31/0115000467C003 alternative		
T type	TVVBG, TVVBPG, THWVBP, H05VVD3H6-F, H05V3V3D3H6-F, H07VVD3H6-F		

Cable parameters

ID	Specification	Dimension (W*H)	Data elements	Support elements	Reference Weight	Loop Size
4448115195	29*0.75+5*2P*0.75+8*2+TV(+2*G)	105.6×9.5	2P*0.75AL	2× ∅ 3.0	1570	550±50
4471000000	48*0.75+10*2+2*6P*0.75+TV(+2*G)	117.9×12.7	6P*0.75AL	2× ∅ 5.0	2560	650±50
4455115238	6*2.5+40*0.75+2*2P*0.75+1*2P*0.75+1*2(+2*G)	108.8×10.4	2P*0.75AL	2× ∅ 4.0	2035	550±50
4457104485	40*0.75+4*2P*0.75+CAT5e+TV(+2*G)	96.7×9.4	2P*0.75AL	2× ∅ 4.0	1570	650±50
4460006233	60*0.75(+2*G)	80.5×8.5	NA	2× ∅ 4.0	1300	480±50
4464106237	60*0.75(+2*2P*0.5)(+2*G)	88.0×8.5	2P*0.5AL	2× ∅ 4.0	1400	480±50
4468106239	60*0.75(+2*2P*0.75+4*G50/125)(+2*G)	97.0×8.8	2P*0.34AL TV	2× ∅ 4.0	1550	500±50

*G: steel rope support elements

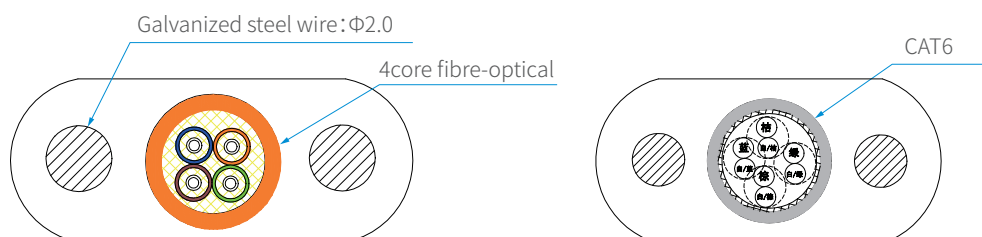
*LAN cable: Cat5e, Cat6, Cat7 alternative; TV: 75Ω coaxial cable; FO: multi-mode G62.5/125 or 50/125, single-mode G652D

*Cu: copper braiding; AL: aluminium foil binding; alternative

*Out of list demands please contact BNK technical dept

Elevator modification travelling cable-PVC

Structure and Schematic Drawing



Product Information

Cable Structure	Conductor comply with GB/T 3956 sheet 3 or IEC60228 class 5		
	Insulation comply with GB/T 5023 sheet 1 PVC/D insulation		
	Sheath comply with GB/T 5023.1 sheet 2 PVC/TM2		
	Color Code GB/T 5023.1, over six cores:black skin with white nubmer + yellow green wire		
Technical Characteristics	Rate voltag U_0/U : 300/500V (450/750V)	Mechanical Properties	Free suspension length $\leq 80m$
	Voltage Test: 2000V(2500V)		Travelling height $\leq 150m$
	Work temperature scope: $-20^{\circ}C \sim 40^{\circ}C$		Running speed $\leq 4m/s$
	Maximum conductor temperature: $70^{\circ}C$	Type	Acceleration speed $< 1.2m/s^2$
	Flame resistance: IEC 60332-1		TWVBG, TWBPG
Environmentally friendly: RoHS			
Standards & certification	GB/T 5023.6, IEC60227, EN50214, Q31/0115000467C003 alternative		
Application	Power and signal controlling between travelling car and cabinet, mainly focus on elevator modification on function compensation		

Cable parameters

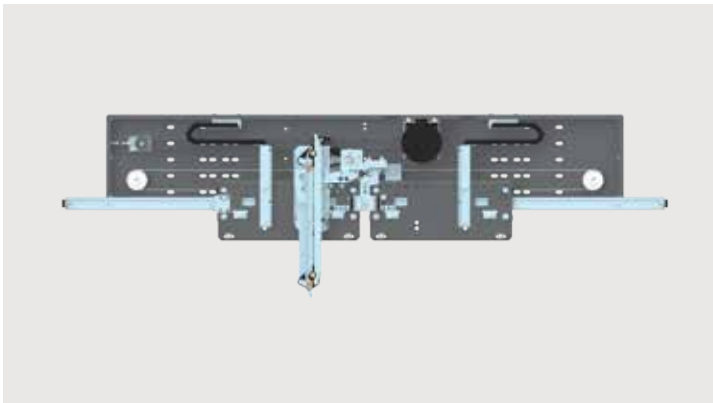
ID	Specification	Dimension (W*H)	Data elements	Reference Weight	Loop Size
4401504174	SYV-75-4	17.9×10.0	TV	274	500±50
4401504632	SYV-75-4-P	17.9×10.0	TV	220	500±50
4408004456	CAT 5e	17.7×9.0	Cat5e	202	450±50
4408004631	CAT 6	17.7×9.0	Cat5e	202	450±50
4404004633	4*62.5/125(4*A1b)	15.7×7.8	G62.5/125	167	390±50
4410004444	2*1.0+CAT5e	23.4×9.0	Cat5e	274	450±50
4411304362	2*2.5+CAT5E+TV	35.4×8.9	Cat5e TV	389	445±50
4403004060	2*1.0+TV (SYV75-5)	22.7×8.4	TV	253	420±50
4413204440	(2*2P)*0.75+CAT5e+TV	39.0×8.7	2P0.75Al Cat5e TV	429	435±50

*LAN cable: Cat5e, Cat6, Cat7 alternative; TV: 75Ω coaxial cable; FO: multi-mode G62.5/125 or 50/125, single-mode G652D

*Cu: copper braiding; AL: aluminium foil binding; alternative

*Out of list demands please contact BNK technical dept

J2500 Central Opening 2 Window-Type Car Doors

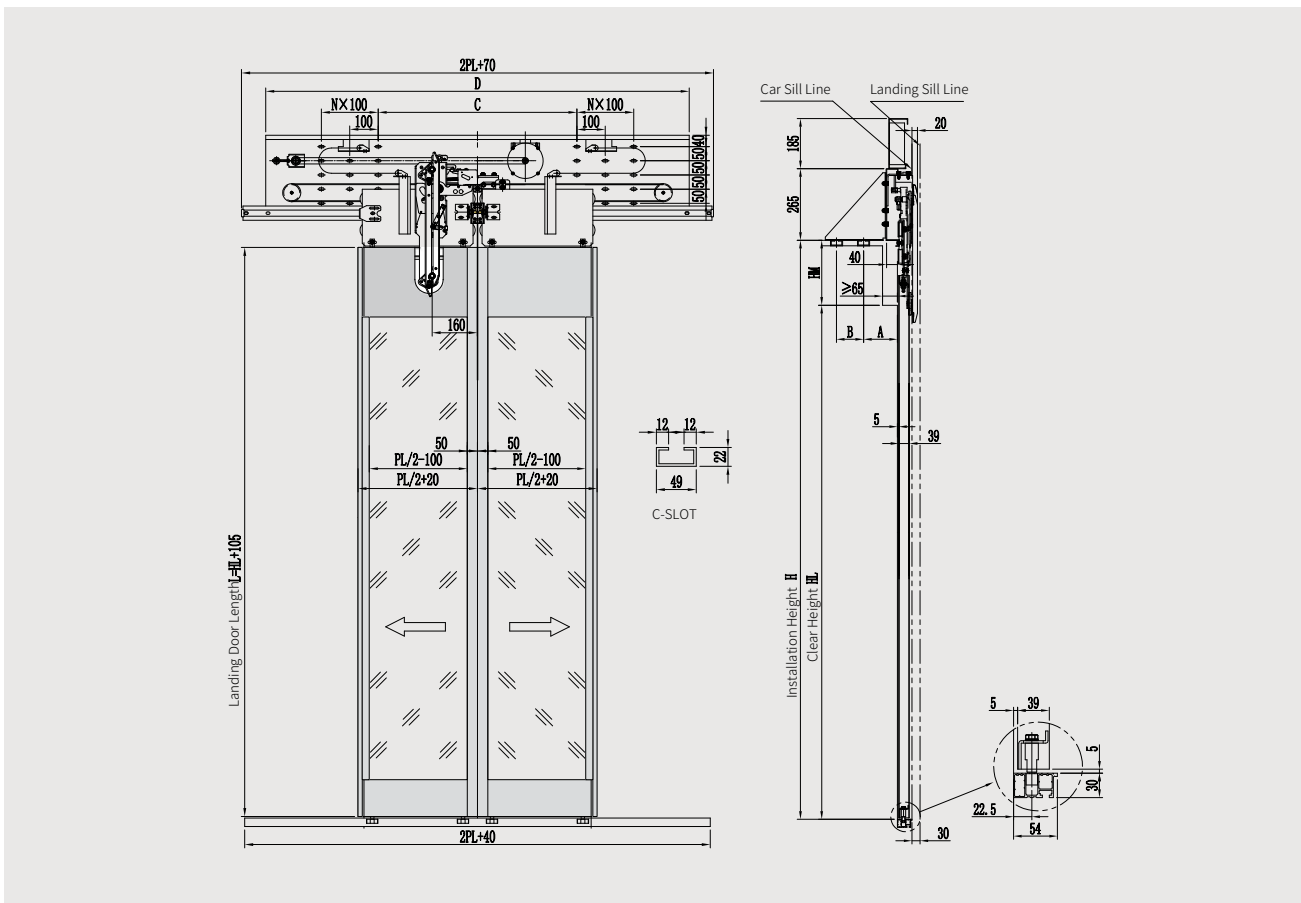


Features

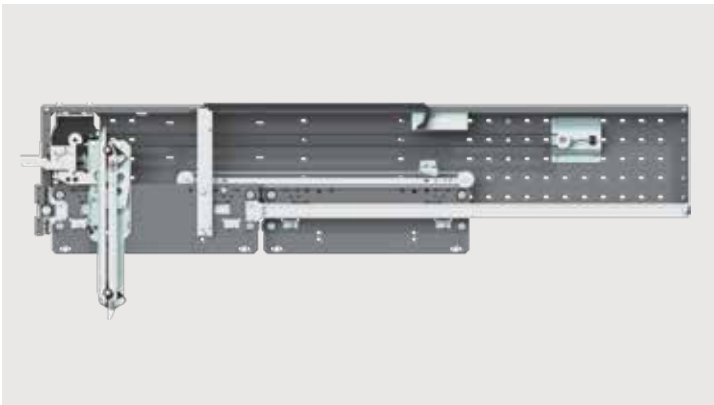
- Car door system with gateballs located on both sides of the door vane and synchronous transmission for simple mechanical structure, reduced mechanical failures and greatly improved reliability of products. Light weight and easy installation and maintenance.
- Closed-loop control, real-time control of running speed and position and functions of traditional travel switch, bow-shaped metal part and cam switch integrated on software.
- Excellent auto-tuning function and built-in optimized operation curve for greatly reduced debugging.
- Great part commonality for low inventory needs and operating costs.

Technical Specifications

HL	HL=2000~2300					
PL	700	800	900	1000	1100	1200
Default value	HM=240		A=125		B=115	
C	700	700	800	900	1000	1000
D	1400	1500	1600	1700	1800	1900
N	2					
Car door space	≥ 95		Car door guide rail		Independent reinforced track	
IP rating	IP20		Belt		12m m/S5M	
Belt pulley	Φ24.5		Sill		54/slot width 14.8 mm	
Door vane	Same knife moving distance/integrated car door locks					



J2500 2 Panel Side Opening Heavy Duty Car Door

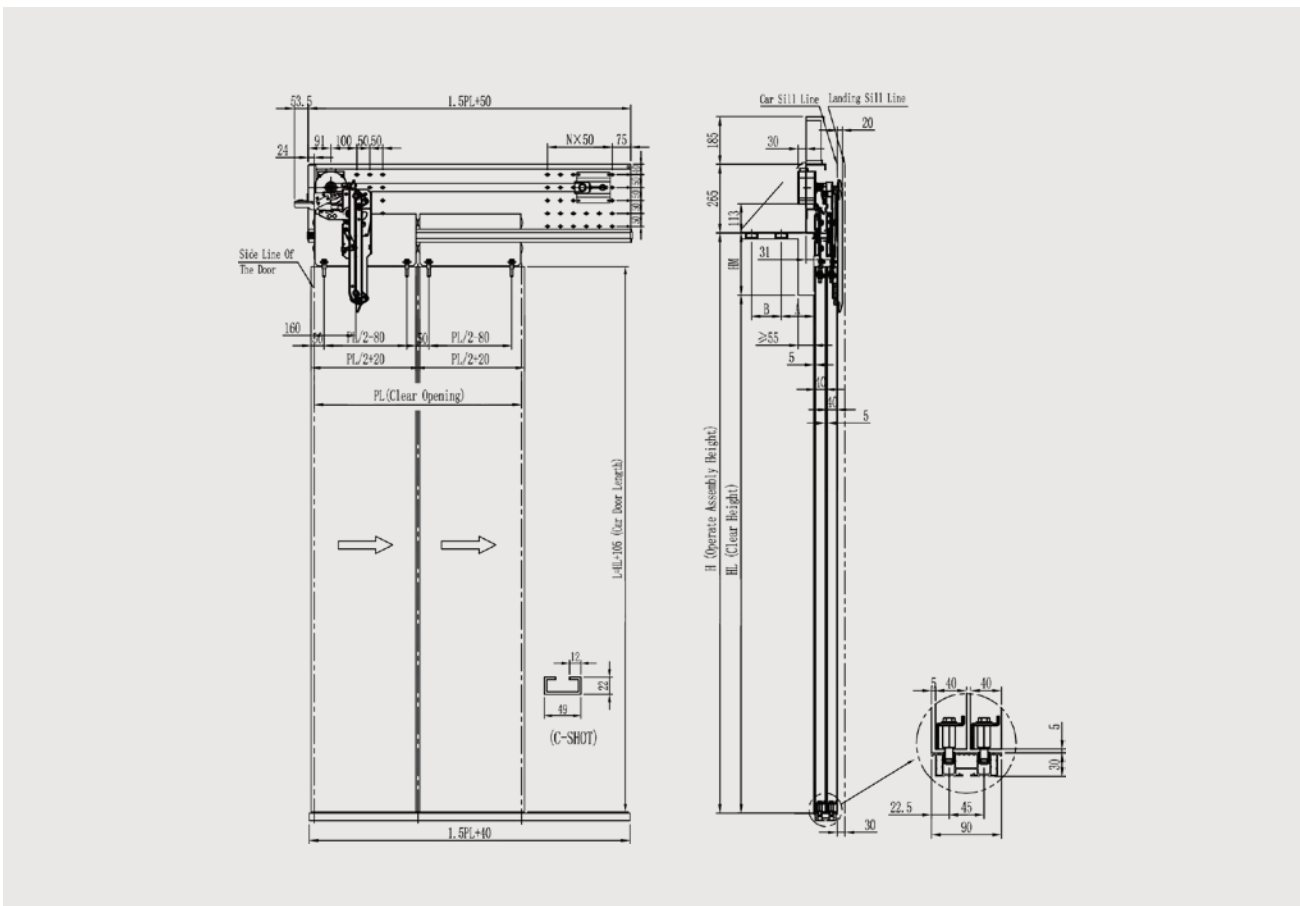


Features

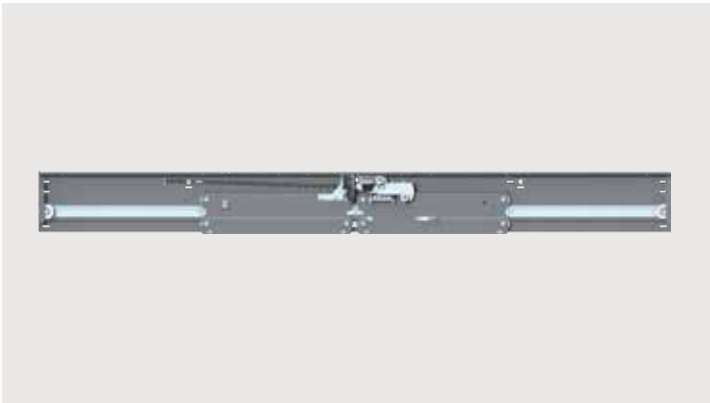
- Car door system with gateballs located on both sides of the door vane and synchronous transmission for simple mechanical structure, reduced mechanical failures and greatly improved reliability of products. Light weight and easy installation and maintenance.
- Closed-loop control, real-time control of running speed and position and functions of traditional travel switch, bow-shaped metal part and cam switch integrated on software.
- Excellent auto-tuning function and built-in optimized operation curve for greatly reduced debugging.
- Great part commonality for low inventory needs and operating costs.

Technical Specifications

HL=2000~2200	PL=700~1200			HM=240	A=125	B=115
Standard Size						
PL	700	800	900	1000	1100	1200
N	5	6	6	7	8	8
Car door space	≥ 95			Car door guide rail	Independent reinforced track	
IP rating	IP20			Belt	12mm/S5M	
Belt pulley	Φ24.5			Sill	54/slot width 14.8mm	
Door vane	Same knife moving distance/integrated car door locks					



T2200 2 Panel Center Opening Heavy Duty Landing Door

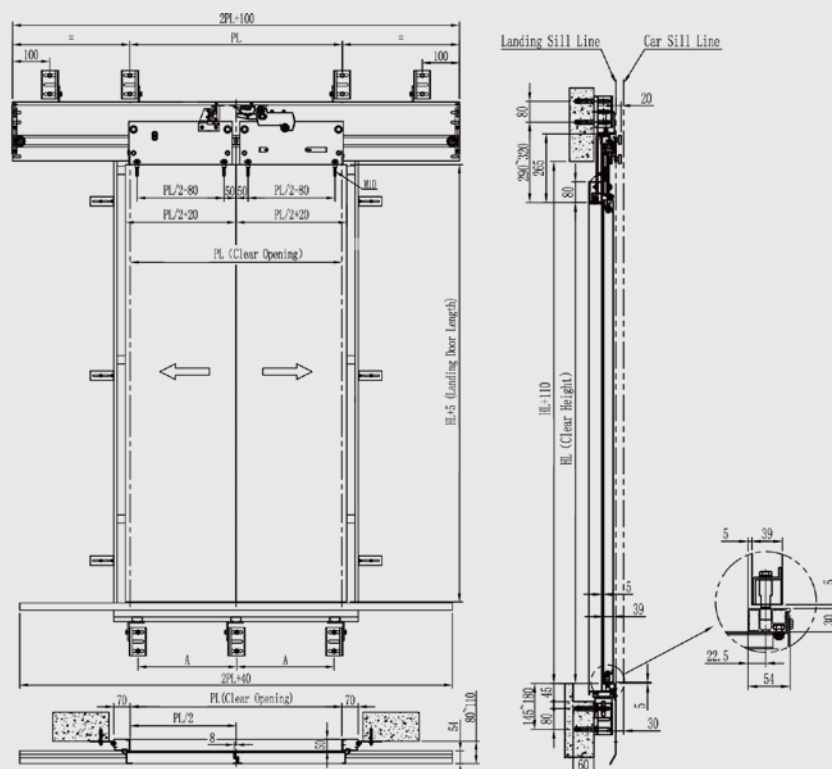


Features

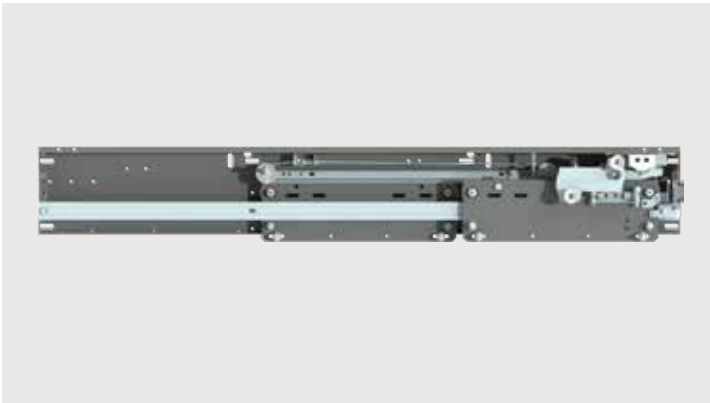
- In line with the requirements of GB/T 7588-2020 and EN81-20/50 standards.
- In compliance with the trend of energy conservation and environmental protection.
- European interfaces for door vanes with gateballs located bilaterally for European market needs.
- Ease of installation and adjustment for the landing door device and spring lock used for better performance

Technical Specifications:

	HL=2000~2500		PL=1200~1600		
Standard Size					
PL	1200	1300	1400	1500	1600
	275	300	325	280	300
Landing door space	≥85				
Min. floor height	HL+480				
Landing door guide rail	Independent guide rail				
Door plate	1.2 mm cold rolled sheet/ thickness 39mm (optional: +0.6 mm stainless steel outer covering)				
Door jamb	50*70 mm (35*50 mm optional)				
Sill	54/slot width 14.8 mm				
Forced door close	Spring				
IP rating	IP20				



T2200 2 Panel Side Opening Heavy Duty Landing Door

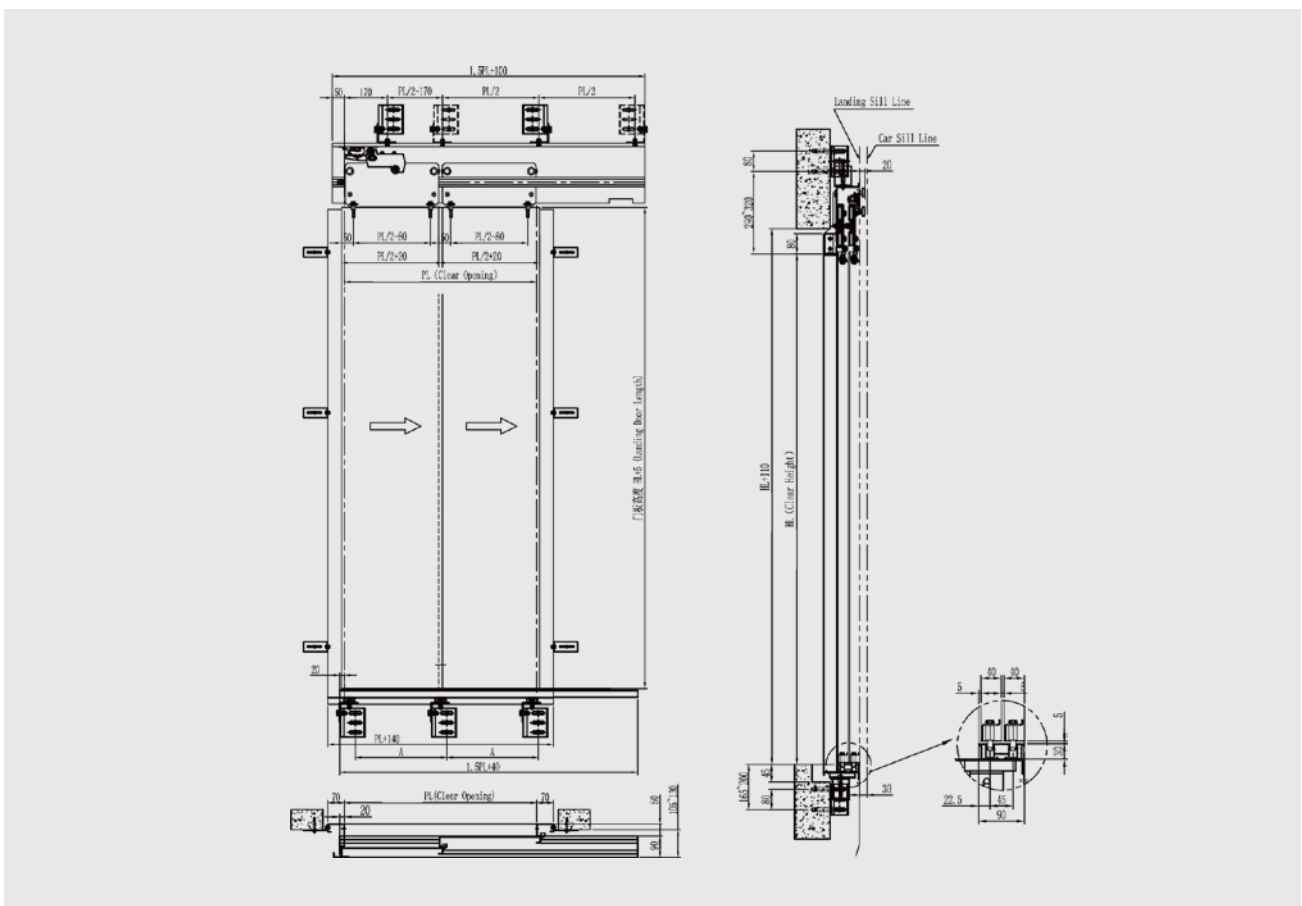


Features

- In line with the requirements of GB/T 7588-2020 and EN81-20/50 standards.
- In compliance with the trend of energy conservation and environmental protection.
- European interfaces for door vanes with gateballs located bilaterally for European market needs.
- Ease of installation and adjustment for the landing door device and spring lock used for better performance

Technical Specifications:

	HL=2000~2500		PL=1200~1600		
Standard Size					
PL	1400	1500	1600	1700	1800
	325	280	300	325	350
Landing door space	≥85				
Min. floor height	HL+480				
Landing door guide rail	Independent guide rail				
Door plate	1.2 mm cold rolled sheet/ thickness 39mm (optional: +0.6 mm stainless steel outer covering)				
Door jamb	50*70 mm (35*50 mm optional)				
Sill	54/slot width 14.8 mm				
Forced door close	Spring				
IP rating	IP20				



T2203 Central Opening 2 Fireproof Doors

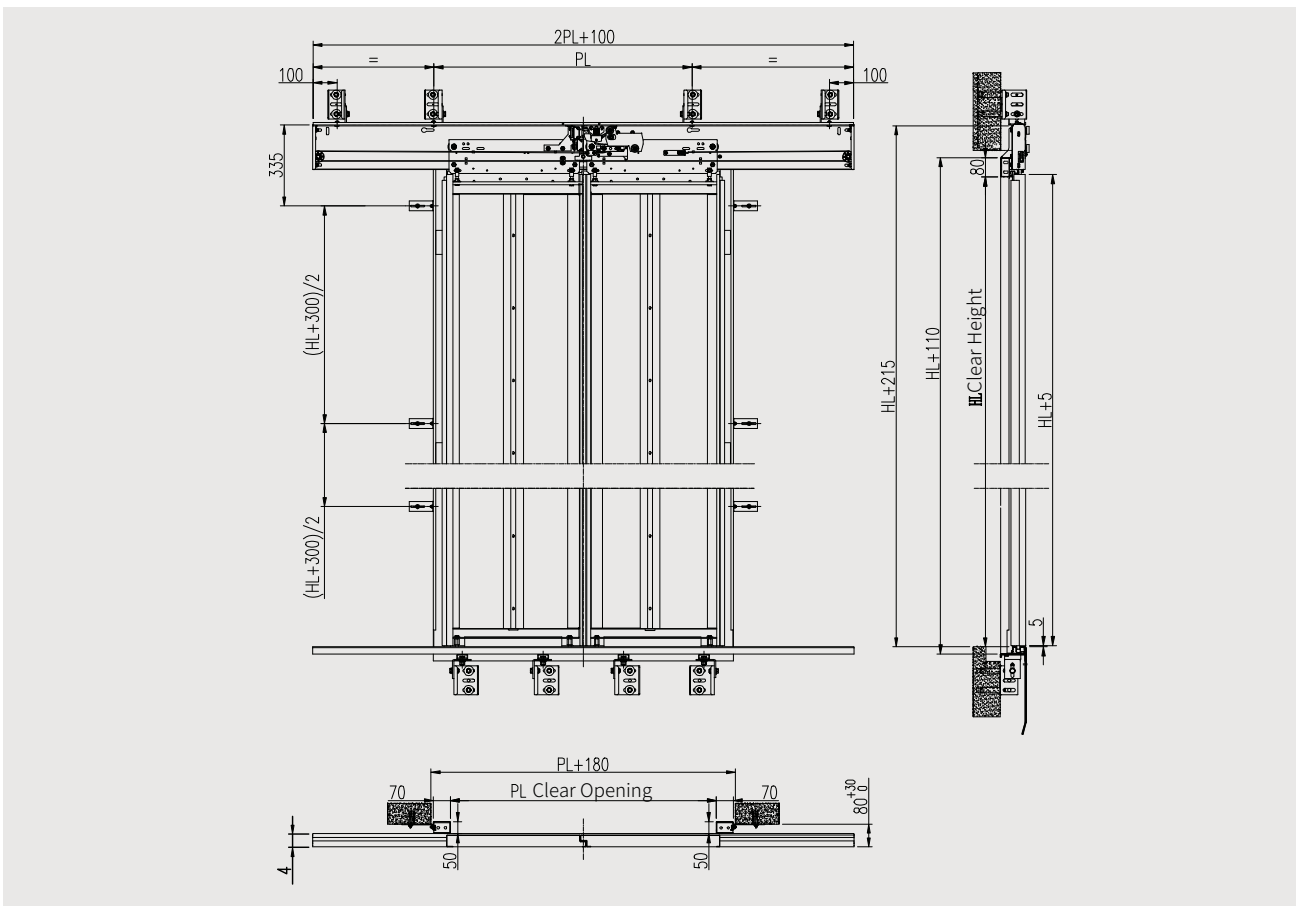


Features

- In line with GB/T27903 E120/EI120 and EN81-58 E120/EI120 fire test requirements.
- In compliance with the requirements of GB/T 7588-2020 and EN81-20/50 standards.
- European interfaces for door vanes with gateballs located bilaterally for smooth door open/close.
- The landing door device is easy to install and adjust. The closing spring is used to meet the self-closing demand.

Technical Specifications:

HL	HL=2000~2400					
PL	700	800	900	1000	1100	1200
Landing door space	≥ 85					
Min. floor height	HL+480					
Landing door guide rail	Integrated guide rail					
Door plate	49					
Door jamb	50*70					
Sill	54/slot width 14.8 mm					
Forced door close	Spring					
IP rating	IP20					



T2203 2 Panel Side Opening Fireproof Landing Door

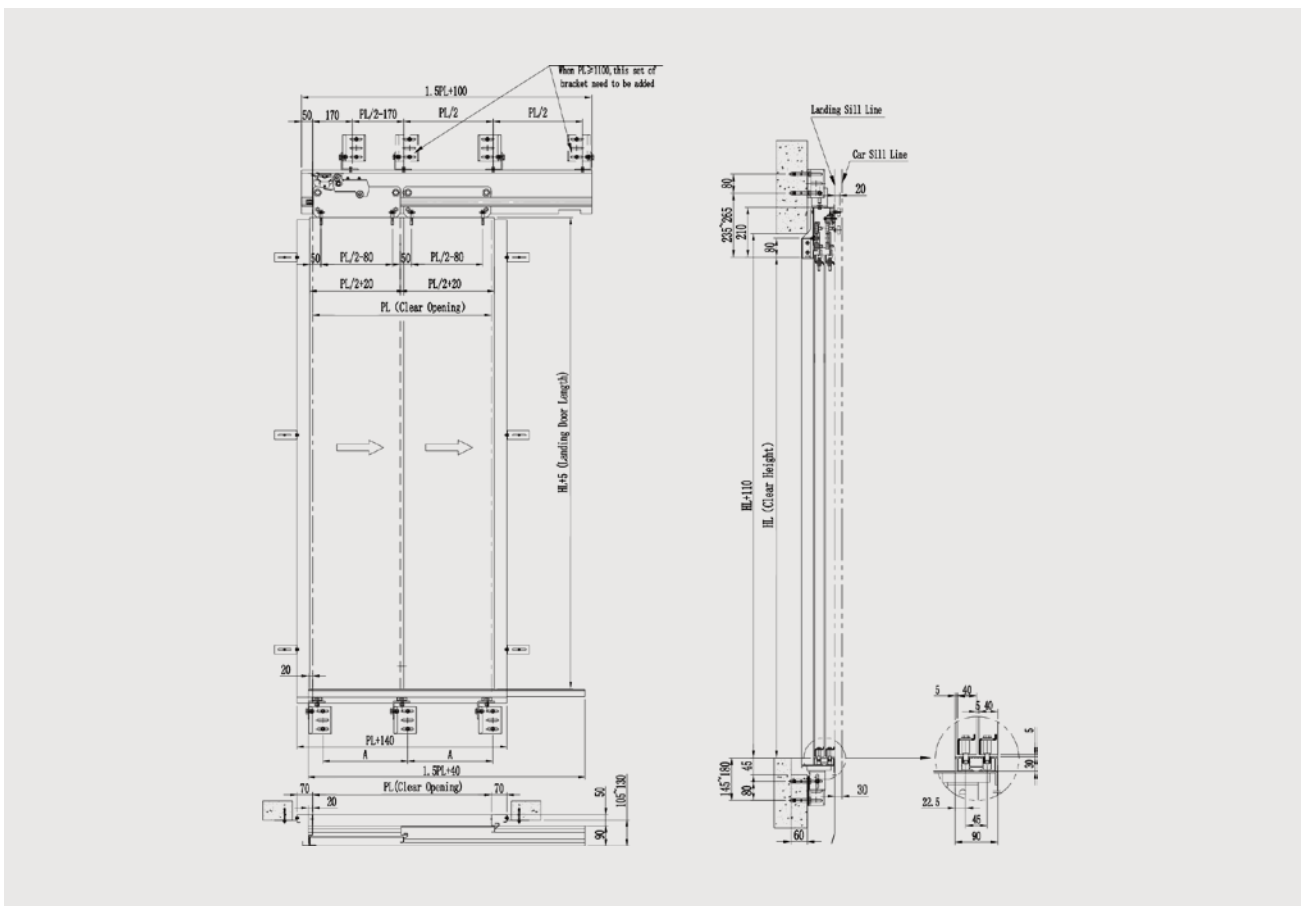


Features

- In line with GB/T27903 E120/EI120 and EN81-58 E120/EI120 fire test requirements.
- In compliance with the requirements of GB/T 7588-2020 and EN81-20/50 standards.
- European interfaces for door vanes with gateballs located bilaterally for smooth door open/close.
- The landing door device is easy to install and adjust. The closing spring is used to meet the self-closing demand.

Technical Specifications:

	HL=2000~2500				PL=700~1300			
	Standard Size							
PL	700	800	900	1000	1100	1200	1300	
A	300	350	267	300	333	275	300	
Min. floor height	HL+480							
Landing door guide rail	Independent guide rail							
Door plate	49							
Door jamb	50*70							
Sill	54/slot width 14.8 mm							
Forced door close	Spring							
IP rating	IP20							



T2101 2 Panel Center Opening Light Duty Landing Doors

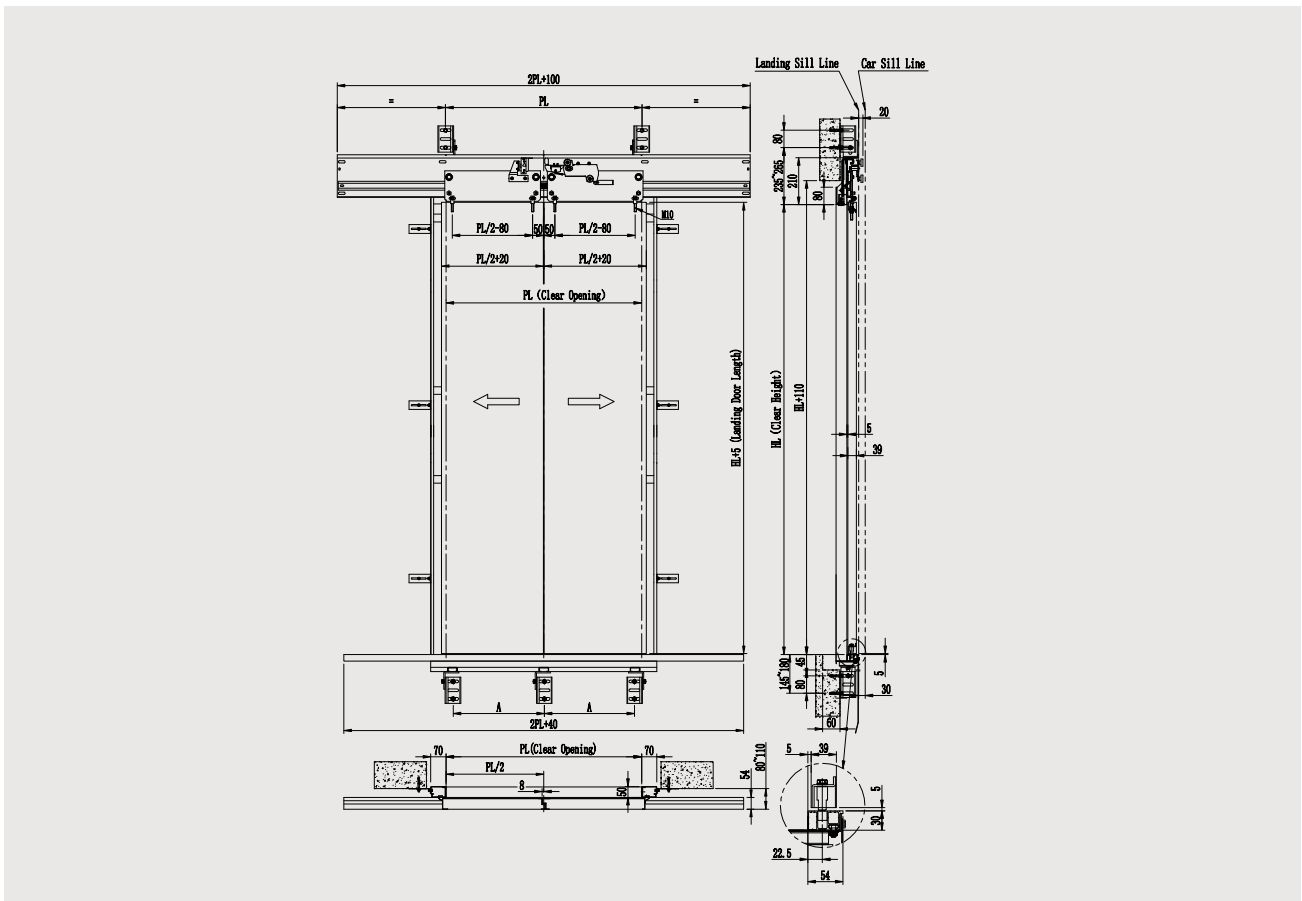


Features

- In line with the requirements of GB/T 7588-2020 and EN81-20/50 standards.
- In compliance with the trend of energy conservation and environmental protection. European interfaces for door vanes with gateballs located bilaterally for European market needs.
- Ease of installation and adjustment for the landing door device and spring lock used for better performance

Technical Specifications:

HL	HL=2000-2400		
PL	700	800	900
Landing door space	≥85		
Min. floor height	HL+480		
Landing door guide rail	Independent guide rail		
Door plate	1.2 mm cold rolled sheet/thickness 39 mm (optional: +0.6 mm stainless steel outer covering)		
Door jamb	50*70 mm (35*50mm optional)		
Sill	54/slot width 14.8 mm		
Forced door close	Spring		
IP rating	IP20		



NICE900 Multipurpose Door Operator Controller



Features

- DSP high-performance processor and advanced vector servo control technology used to drive AC asynchronous motor and permanent magnet synchronous motor.
- Wide applications in elevator doors, cold storage doors and subway doors to realize speed control and distance control.
- Intelligent protection function for cutting power off to avoid pinching your hands.
- Easy commissioning: one button for auto-tuning.

BG221 Ultra Thin Door Operator Drive



Features

- Ultra-thin Design: The thickness is only 39mm, which is suitable for ultra-thin door operator application.
- Safe And Reliable: With 2 dozens of prewarning and protection functions, making product safer.
- Simple Debugging: With one button self-learning function, easy debugging, the factory default can meet most of the field conditions, no need to debug.

Permanent Magnet Synchronous Motor

Product features

			
140ST-33	125ST-13	BPM23E-47	140TAST-08
Ultra-thin structure flexible installation high efficiency, energy conservation and maximum load of 120 kg	Large startup torque, high efficiency, energy conservation and maximum load of 160 kg	High IP rating, high efficiency, energy conservation and maximum load of 200 kg	High efficient outer rotor structure with a maximum load of 300 kg

Technical Specifications

Rated power	47	47	47	86
Rated Voltage	90	125	78	220
Rated current	0.55	0.45	0.57	1.00
Rated torque	1.8	2.3	2.3	5
Rated speed	250	195	195	165
IP rating	IP44	IP44	IP54	IP44
Insulation class	F	F	F	F

